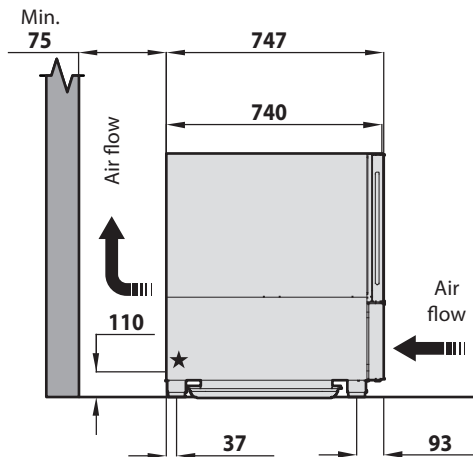
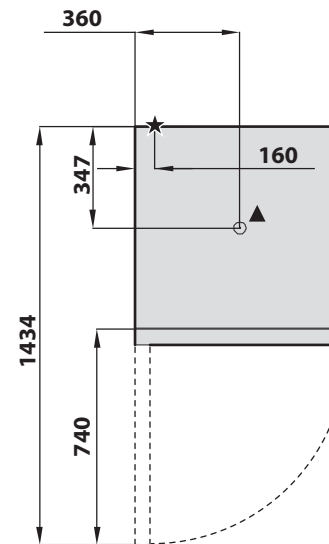


FRONT VIEW

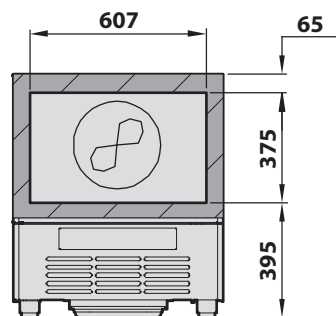


SIDE VIEW

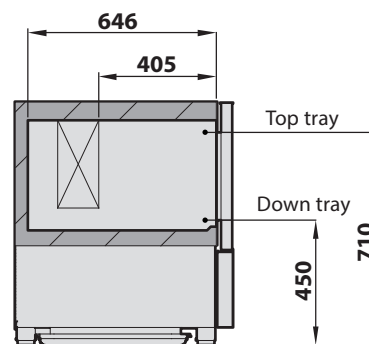


TOP VIEW

★ Main power cable
▲ Drain pipe ø 31



INTERIOR VIEW



TRAYS CAPACITY		
Number of trays GN1/1 (H= 40 mm)	-	5
Number of trays GN2/1 (H= 40 mm)	-	-
Yield for blast chilling cycle: (90/+3°C)	kg	15,0
Yield for shock freezing cycle: (90/-18°C)	kg	15,0
*: within 90 min. **: within 240 min.		

HEIGHT			
		a	b
Standard feet	mm	838	60 ÷ 80
Lowered feet option	mm	-	- ÷ -
Wheel option	mm	-	-

measurement in millimeters

IRINOX

Mod.: **EF 15.1**

Cod.: **PEF0151SAAxxxx**

Ed.: **01/08/2018** Rev.: **00**

BLAST CHILLER/FREEZER WITH INTEGRATED AIR CONDENSING UNIT

Electric supply:		230V 1N+PE 50Hz	-	-	-	-
Total rating:	kW	1,20	-	-	-	-/-
Full load amps:	A	6,30	-	-	-	-/-
Main power cable	mm ²	3G1.5	-	-	-	-
Compressor rating	HP	0,5	-	-	-	-
Refrigeration Yield (-10/40°C)	W	1623	-	-	-	-/-
Condenser rating (-10/40°C)	W	2549	-	-	-	-/-
Refrigerant type:	-	R404A / R452A				
Nominal refrigerant charge:	kg gas	1,40				
Minimum Air Flow	m ³ /h	110	-	-	-	-/-
Maximum ambient air temperature:	°C	32				
Cabinet dimension: (W × D × H)	mm	720 × 745 × 835				
Cabinet weight:	kg	105,00				
Compressor Noise (5 m)	dB(A)	-	-	-	-	-/-

In implementation of the European Regulation 1095/2015 Irinox states that consumption is:

Model(S)	EF 15.1 (230V-1N+PE 50Hz)	
Type of product	Blast chiller / Blast freezer	
Refrigerant fluid(S)	-	R404A
Refrigerant charge	kg gas	1,40
Blast chilling program	Delicate +3 °C	
Blast freezing program	Strong -18 °C	
Energy consumption Blast chilling cycle	kWh/kg	0,0523
Energy consumption Blast freezing cycle	kWh/kg	0,2148
Chilled full load capacity	kg	15
Frozen full load capacity	kg	15
Blast chilling cycle from/to +65 °C / +10°C	min	56
Blast freezing cycle from/to +65 °C / -18°C	min	215
Contact details:	IRINOX Spa, Via Madonna di Loreto 6/B 31020 Corbanese di Tarzo (TV) Italy	

IRINOX

Mod.: **EF 15.1**

Cod.: **PEF0151SAAxxxx**

Ed.: **01/08/2018** Rev.: **00**